

# Scum Gate Valve, Throttle Valve, Wearable Scum Gate Valve

## • 排渣闸阀、排渣节流阀、耐磨排渣闸阀

### 制造验收技术标准

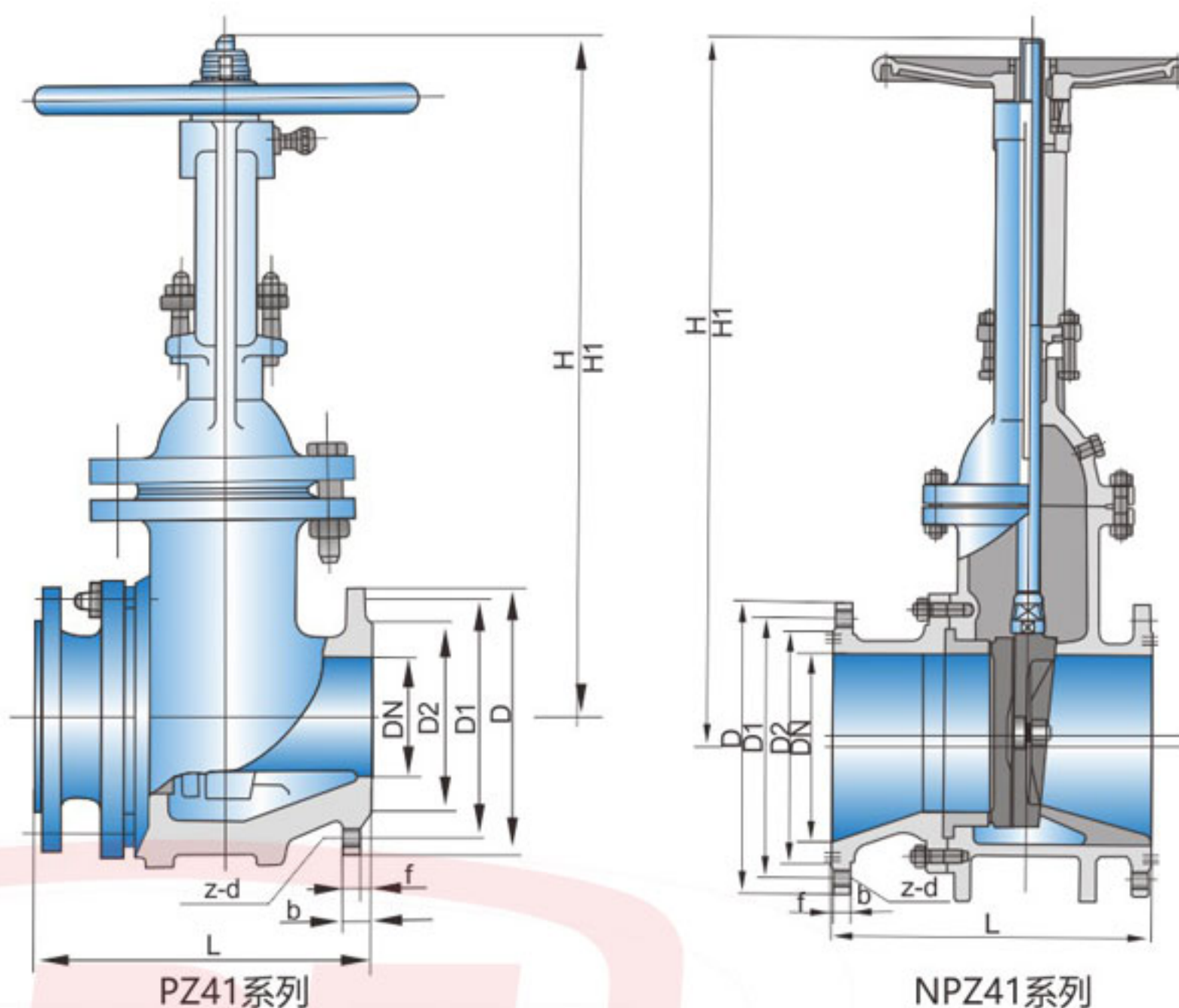
1. 制造验收技术条件参照GB/T 12234
2. 阀门结构长度按GB/T 12221
3. 阀门法兰尺寸按JB/T 78-79, GB/T 9112-9124

### Manufacture and acceptance standard

1. Manufacturing acceptance technical conditions refer to GB / T 12234
2. Valve structure length is GB/T 12221
3. Valve flange size by JB / T 78-79, GB / T 9112-9124

### 使用范围 Use Range

工作温度(°C) working temp	≤425°C
阀体材料 Body material	碳钢 Carbon steel WCB
适用介质 Applicable medium	灰渣水混合物, 渣水比≥1:15, 最大粒径≤50mm ≤50mm Mixture of water and ash residue with a ratio of residue: water ≥ 1:15 and max. size ≤ 50mm



### 主要外形尺寸和连接尺寸 Main Dimensions And Connection Dimensions

尺寸 Size	DN(mm)	L	D	D1	D2	b	Z-Φd	H
PZ41H-(10C,16C) PL41H-(10C,16C) NPZ41H-(10C,16C)  电动排渣阀尺寸同上 高度重量外加电动装置 The size of the electric slag valve is the same as above High weight plus electric device	50	250	165	125	102	20	4-Φ18	335
	80	280	200	150	133	22	8-Φ18	510
	100	300	220	180	150	24	8-Φ18	685
	150	350	285	240	212	28	8-Φ22	790
	200	400	340	295	268	30	12-Φ22	885
	250	450	405	355	320	32	12-Φ26	1015
	300	500	460	410	370	34	12-Φ26	1190
	350	550	520	470	430	38	16-Φ26	1350
PZ41H-25 PZ941H-25 NPZ41H-25 NPZ941H-25  电动排渣阀尺寸同上 高度重量外加电动装置 The size of the electric slag valve is the same as above High weight plus electric device	400	600	580	525	482	40	16-Φ30	1460
	500	700	715	650	585	46	20-Φ33	1820
	50	250	165	125	102	20	4-Φ18	335
	80	280	200	150	133	22	8-Φ18	510
	100	300	235	190	158	24	8-Φ22	685
	150	350	300	250	212	30	8-Φ26	190
	200	400	360	310	278	34	12-Φ26	885
	250	450	425	370	335	36	12-Φ30	1015
PL41H-25 PL941H-25  电动排渣阀尺寸同上 高度重量外加电动装置 The size of the electric slag valve is the same as above High weight plus electric device	300	500	485	430	390	40	16-Φ30	1190
	350	550	555	490	450	44	16-Φ33	1350
	400	600	620	550	505	48	16-Φ36	1460
	450	650	670	600	555	50	20-Φ36	1620
	500	700	730	660	615	52	20-Φ36	1820
	150	400	300	250	212	30	8-Φ26	910
	200	500	360	310	278	34	12-Φ26	1100
	250	550	425	370	335	36	12-Φ30	1430
电动排渣阀尺寸同上 高度重量外加电动装置 The size of the electric slag valve is the same as above High weight plus electric device	300	650	485	430	390	40	16-Φ30	1558
	350	700	555	490	450	44	16-Φ33	1678
	400	750	620	550	505	48	16-Φ36	1830
	450	850	670	600	555	50	20-Φ36	1990
	500	900	730	660	615	52	20-Φ36	2160