

• 国标截止阀

J41H-PN1.6, 2.5, 4.0, 6.4, 10.0, 16.0

结构特点与用途:

1. 中法兰式、自密封式多结构满足用户要求。
2. 可以安装在管道的任何位置上，启闭迅速、耐磨耐蚀。
3. 不锈钢截止阀适用于各腐蚀性介质上的管道上，有良好的防腐性和足够的强度。
4. 合金钢截止阀适用于耐高温的蒸汽、油品管道上，具有耐高温的特点。

Structural Features And Uses

1. Middle flange type, self-seal type structures are available to meet the needs of customers.
2. It can be installed at any position of pipelines, with quick startup/shutoff, wear-resistant and anticorrosion property.
3. Stainless steel globe valve is applied to various pipelines of corrosive medium, with good non-corrosibility and enough intensity.
4. Alloy steel globe valve is applied to fire-resistant pipelines of steam and oil products, with good fire-resistant property.

试验压力 Test Pressure

公称压力PN(MPa)	壳体强度试验压力(MPa) Shell strength test pressure	上密封试验压力(MPa) Back seal test pressure	密封试验压力(MPa) Seal test pressure
1.6	2.4	1.8	1.8
2.5	3.8	2.8	2.8
4.0	6.0	4.4	4.4
6.4	9.6	7.0	7.0
10.0	15	11	11
16.0	24	18	18

适用规范 Applicable Specification

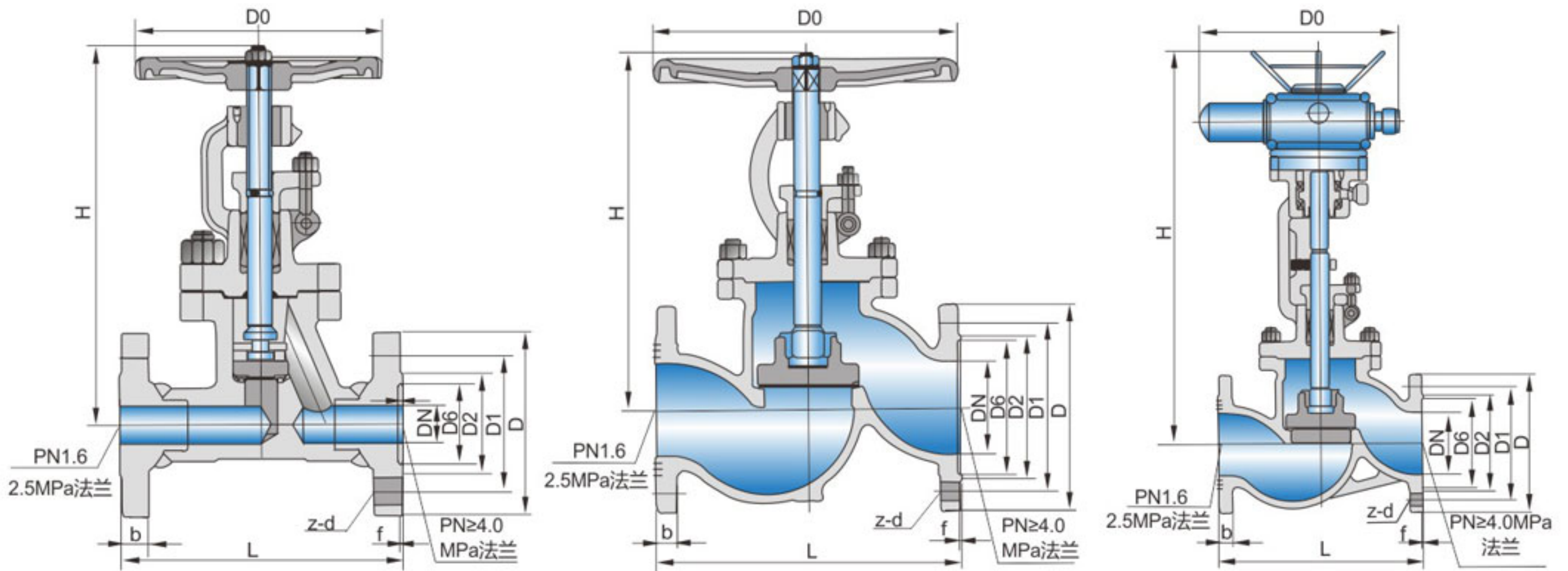
产品类别 Product Category	适用介质 Applicable media	适用温度(°C) Applicable Temp
J41H-C J41Y-C	水、汽、油品 Water, steam, oil	≤425°C
J41W-P J941W-P	硝酸类 Nitrate class	≤450°C
J41W-R	醋酸类 Acetic acid class	≤200°C
J41Y-I J941Y-I	水、汽、油品 Water, steam, oil	≤200°C
		≤550°C

主要零件材料 Material Formain Parts

产品类别 Product Category	零件名称 Part name							
	阀体、阀盖 Body, bonnet	阀杆 stem	阀瓣 Disc	密封面 Sealing surface	阀杆螺母 Stem nut	填料 Packing	紧固件 Fasteners	手轮 Hand wheel
J41H-C型 J41Y-C型 J941H-C型 J941Y-C型	25, WCB	铬不锈钢 Cr.stainless steel	2Cr13, 25	H:合金 Y:钴基硬质合金 H:Alloy Y:Stellite			优质碳钢 HQ Carbon steel	
J41W-P型 J941W-P型	铬镍钛钢 Cr.Ni.Ti. steel	铬镍钛钢 Cr.Ni.Ti. steel	铬镍钛钢 Cr.Ni.Ti. steel	铬镍钛钢 Cr.Ni.Ti. steel			不锈钢 Stainless steel	可锻铸铁 Malleable cast iron
J41W-R型	铬镍钼钛钢 Cr.Ni.Mo.Ti steel	铬镍钼钛钢 Cr.Ni.Mo.Ti steel	铬镍钼钛钢 Cr.Ni.Mo.Ti steel	铬镍钼钛钢 Cr.Ni.Mo.Ti steel	铝合金 Aluminum alloy	柔性石墨 Flexible graphite	不锈钢 Stainless steel	
J41Y-I型 J941Y-I型	铬钼钢 Cr.Mo steel	铬钼钢 Cr.Mo steel	合金钢 Alloy steel	钴基硬质合金钢 Stellite			合金钢 Alloy steel	

• 国标截止阀

J41H-PN1.6, 2.5, 4.0, 6.4, 10.0, 16.0



主要外形尺寸和连接尺寸 Main Dimensions And Connection Dimensions

公称通径DN(mm)	L	D	D1	D2	b	f	Z-d	H	D0	重量WT(kg)
J41H-16C J41Y-16C J41W-16P J41W-16R J41Y-16I										
10	130	90	60	40	14	2	4-14	198	120	4.7
15	130	95	65	45	16	2	4-14	218	120	5.2
20	150	105	75	55	16	2	4-14	258	140	7.1
25	160	115	85	65	16	2	4-14	275	160	7.4
32	180	135	100	78	18	2	4-18	280	180	8.5
40	200	145	110	85	18	3	4-18	330	200	12.5
50	230	160	125	100	18	3	4-18	350	240	20
65	290	180	145	120	18	3	4-18	400	280	25
80	310	195	160	135	20	3	8-18	355	280	35
100	350	215	180	155	22	3	8-18	415	320	50
125	400	245	210	185	24	3	8-18	460	360	75
150	480	280	240	210	24	3	8-23	510	400	100
200	600	335	295	265	26	3	12-23	710	400	180
250	650	405	355	320	30	3	12-23	786	450	440
300	750	460	410	375	30	3	12-23	925	500	648

注: 如有产品参数疑问请致电上海电站阀门有限公司详询, 电话: 021-59222288

Note: If the product parameters, please call our company detailed inquiry, Tel: 021-59222288

• 国标截止阀

J41H-PN1.6, 2.5, 4.0, 6.4, 10.0, 16.0

主要外形尺寸和连接尺寸 Main Dimensions And Connection Dimensions

公称通径 DN	L	D	D1	D2	b	f	Z-d	H手 handle	H电 Electric Actuators	D0	电动装置 Electric device	重量WT(kg)		
												手动 Manual	电动 electric	
	J41H-25	J41Y-25	J41W-25P	J41W-25R	J41Y-25I	J941H-25	J941Y-25	J941W-25P	J941W-25R	J941Y-25I				
10	130	90	60	40	16	2	4-14	198	-	120	-	4.9	-	
15	130	95	65	45	16	2	4-14	218	-	120	-	5.4	-	
20	150	105	75	55	16	2	4-14	258	-	140	-	7	-	
25	160	115	85	65	16	2	4-14	275	-	160	-	7.4	-	
32	180	135	100	78	18	2	4-18	280	-	180	-	8.5	-	
40	200	145	110	85	18	3	4-18	330	-	200	-	12.5	-	
50	230	160	125	100	20	3	4-18	350	645	240	DZW10I	20	50	
65	290	180	145	120	22	3	8-18	400	690	280	DZW10I	35	62	
80	310	195	160	135	22	3	8-18	355	715	280	DZW15I	52	67	
100	350	230	190	160	24	3	8-23	415	770	320	DZW20	89	73	
125	400	270	220	188	28	3	8-25	460	780	360	DZW30	105	127	
150	480	300	250	218	30	3	8-25	510	875	400	DZW45	180	215	
200	600	360	310	278	34	3	12-25	710	967	400	DZW60	446	322	
250	650	425	370	332	36	3	12-30	786	-	450	-	654	-	
300	750	485	430	390	40	4	12-30	952	-	500	-	-	-	

主要外形尺寸和连接尺寸 Main Dimensions And Connection Dimensions

公称通径 DN	L	D	D1	D2	D6	b	f	f2	Z-d	H手 handle	H电 Electric Actuators	D0	电动装置 Electric device	重量WT(kg)	
														手动 Manual	电动 electric
	J41H-40	J41Y-40	J41W-40P	J41W-40R	J41Y-40I	J941H-40	J941Y-40	J941W-40P	J941W-40R	J941Y-40I					
10	130	90	60	40	35	16	2	4	4-14	198	-	120	-	4.9	-
15	130	95	65	45	40	16	2	4	4-14	233	-	120	-	5.7	-
20	150	105	75	55	51	16	2	4	4-14	275	-	140	-	7	-
25	160	115	85	65	58	16	2	4	4-14	285	-	160	-	8.8	-
32	180	135	100	78	66	18	2	4	4-18	302	-	180	-	11.8	-
40	200	145	110	85	76	18	3	4	4-18	355	-	200	-	16.5	-
50	230	160	125	100	88	20	3	4	4-18	373	645	240	DZW10I	24	61
65	290	180	145	120	110	22	3	4	8-18	408	690	280	DZW10I	33	75
80	310	195	160	135	121	22	3	4	8-18	436	715	320	DZW20I	44	84
100	350	230	190	160	150	24	3	4.5	8-23	480	770	360	DZW30I	60	101
125	400	270	220	188	176	28	3	4.5	8-25	558	782	400	DZW45	92	207
150	480	300	250	218	204	30	3	4.5	8-25	611	875	400	DZW60	108	226
200	600	375	320	282	260	38	3	4.5	12-30	720	1160	400	DZW90I	190	339

注：如有产品参数疑问请致电上海电站阀门有限公司详询，电话：021-59222288

Note: If the product parameters, please call our company detailed inquiry, Tel: 021-59222288

• 国标截止阀

J41H-PN1.6, 2.5, 4.0, 6.4, 10.0, 16.0

主要外形尺寸和连接尺寸 Main Dimensions And Connection Dimensions

公称通径 DN	L	D	D1	D2	D6	b	f	f2	Z-d	H手 handle	H电 Electric Actuators	D0	电动装置 Electric device	重量WT(kg)	
														手动 Manual	电动 electric
J41H-64 J41Y-64 J941H-64 J941Y-64 J41Y-64I J941Y-64I															
10	170	100	70	50	35	18	2	4	4-14	198		120		5.7	
15	170	105	75	55	41	18	2	4	4-14	195		140		10	
20	190	125	90	68	51	20	2	4	4-18	228		160		13	
25	210	135	100	78	58	22	2	4	4-18	275		180		14.5	
32	230	150	110	82	66	24	2	4	4-23	325		200		19	
40	260	165	125	95	76	24	3	4	4-23	360		240		25	
50	300	175	135	105	88	26	3	4	8-23	410	710	280	DZW10	35	64
65	340	200	160	130	110	28	3	4	8-23	450	750	320	DZW15	48	77
80	380	210	170	140	121	30	3	4	8-23	485	785	360	DZW30	56	86
100	430	250	200	168	150	32	3	4	8-25	537	837	400	DZW45	125	171
125	500	295	240	202	176	36	3	4	8-30	631		400		131	
150	550	340	280	240	204	38	3	4	8-34	646		450		157	
200	650	405	345	300	260	44	3	4	12-34	813		500		283	
J41H-100 J41Y-100 J941H-100 J941Y-100 J41Y-100I J941Y-100I															
10	170	100	70	50	35	20	2	4	4-14	198		120		6	
15	170	105	75	55	40	20	2	4	4-14	202		140		11	
20	190	125	90	68	51	22	2	4	4-18	228		160		13.2	
25	210	135	100	78	58	24	2	4	4-18	250		180		14	
32	230	150	110	82	66	24	2	4	4-23	326		220		15	
40	260	165	125	95	76	26	3	4	4-23	359		240		29	
50	300	195	145	112	88	28	3	4	4-25	414	710	280	DZW15	49	82
65	340	220	170	138	110	32	3	4	8-25	434	750	320	DZW20I	65	104
80	380	230	180	148	121	34	3	4	8-25	547	785	400	DZW30	95	138
100	430	265	210	172	150	38	3	4.5	8-30	621	837	450	DZW45	115	243
125	500	310	250	210	176	42	3	4.5	8-34	732		450		149	
150	550	350	290	250	204	46	3	4.5	12-34	840		500		310	
200	650	430	360	312	260	54	3	4.5	12-41	925		550		590	
J41H-160 J41Y-160															
15	170	110	75	52	40	24	2	4	4-18	148		140		12.2	
20	190	130	90	62	51	26	2	4	4-23	156		160		15	
25	210	140	100	72	58	28	2	4	4-23	125		180		17	
32	230	165	115	85	66	30	2	4	4-25	200		200		21.4	
40	260	175	125	92	76	32	3	4	4-27	231		240		32	
50	300	215	165	132	88	36	3	4	8-25	262		250		52	
65	340	245	190	152	110	44	3	4	8-30	303		320		69	
80	380	260	205	168	121	46	3	4	8-30	341		400		98	
100	430	300	240	200	150	48	3	4.5	8-34	485		450		119	

注：如有产品参数疑问请致电上海电站阀门有限公司详询，电话：021-59222288

Note: If the product parameters, please call our company detailed inquiry, Tel: 021-59222288