

# High Temperature High Pressure Trap

## • 高温高压疏水阀

### 主要特点及用途

1. 阀门与管路连接采用焊接式结构。
2. 密封面不易磨损，擦伤、密封性能好、寿命长。
3. 结构紧凑、启闭性好、高度小、维修方便。
4. 适用于水、蒸汽、油品管路上，具有耐高温、耐高压的特点。

### 制造验收技术标准

1. 制造验收技术条件按JB/T 3595或E101的规定。
2. 阀门结构长度按ANSI B16.10或E101的规定。
3. 阀体焊接坡口按ANSI B16.25的规定或按用户提供的尺寸。

### Chief Features and Usages

1. A welding structure is used to connect the valve and pipelines.
2. The sealing face is of a good sealing property and long duration, uneasy to worn and rubbed.
3. Compact structure, well to be opened and closed. lower in height, easy maintenance.
4. Of high-temperature and high-pressure resisting features and suitable for water, steam, oil goods pipelines.

### Manufacture and Acceptance Standard

1. The manufacture and acceptance specification shall be based on JB/T3595 or E101
2. The length shall be in line with ANSI B16.10 or with E101.
3. Valve body welding groove shall be in accordance with ANSI B16/25 or with user's specification.

### 主要性能和使用范围 Main Performance And Scope Of Use

产品型号 Product number	公称压力 PN(MPa)	试验压力 test pressure(MPa)		工作压力 working pressure(MPa)			工作温度(°C) working temp	适用介质 Applicable medium
		壳体强度 Shell strength	密封 seal	P54	P55	P57		
J61(H, Y)-100	10	15	11	/	/	/	≤425	水、蒸汽、油品 Water, steam, oil
J61(H, Y)-200	20	30	22	/	/	/		
J61(H, Y)-250	25	38	28	/	/	/		
J61(H, Y)-320	32	48	36	/	/	/		
J61Y-P54100V	20	30	22	10	/	/	≤540	蒸汽 steam
J61Y-P54140V	25	38	28	14	/	/		
J61Y-P54170V	/	48	36	17	/	/		
J61Y-P55100V	/	38	28	/	10	/	≤550	
J61Y-P55140V	/	48	36	/	14	/		
J61Y-P55170V	/	53	39	/	17	/		
J61Y-P57100V	/	48	36	/	/	10	≤570	
J61Y-P57140V	/	55	40	/	/	14		
J61Y-P57170V	/	60	44	/	/	17		

### 主要零件材料 Main Parts Materials

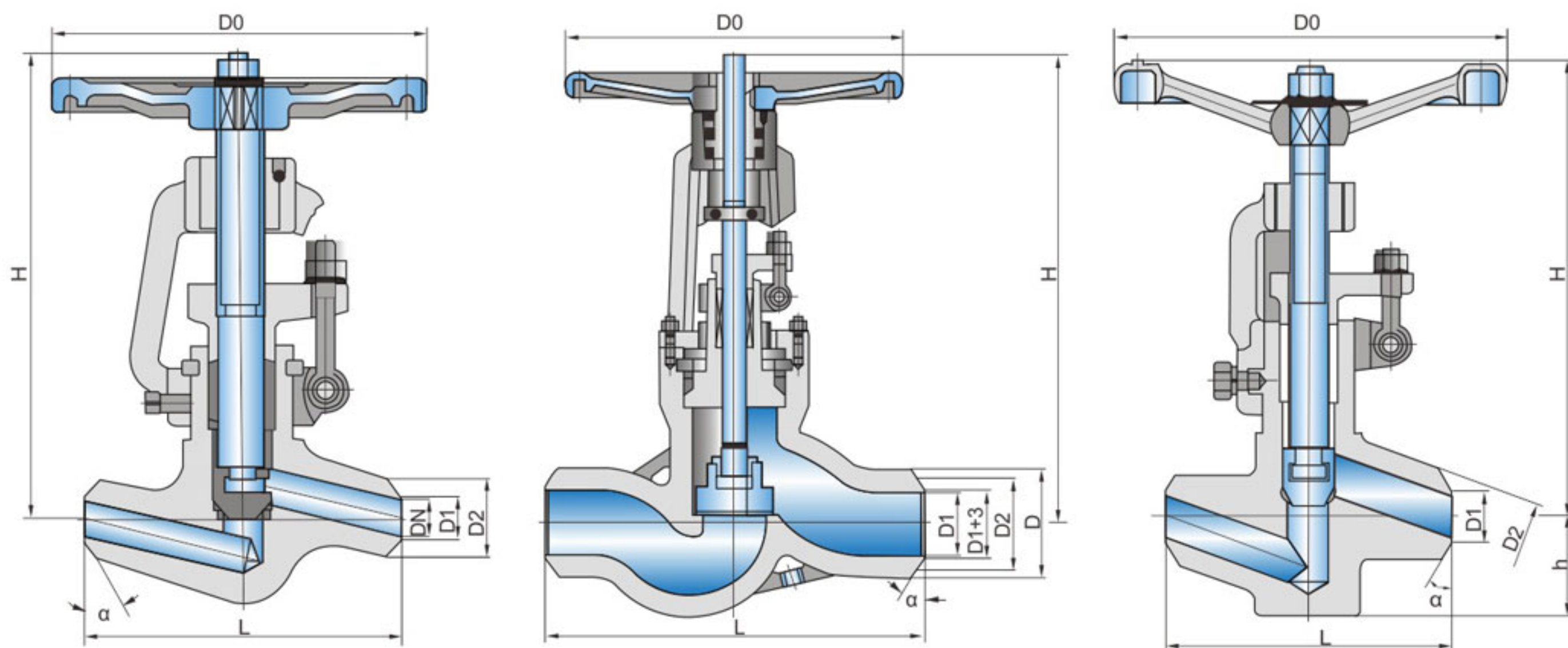
零件名称 Accessory name	阀体 Body	阀盖 Bonnet	阀杆 Stem	阀瓣 Disc	密封面 Sealing face	填料 Packing	阀杆螺母 Valve stem nut	手轮 Hand wheel	紧固件 Fastener
J61H	25	25	铬不锈钢氮化 Cr.stainless steel nitration	25	硬质合金 Carbide alloy	柔性石墨 Flexible graphite	铝青铜 Aluminum bronze	可锻铸铁 forgable cast-iron	优质碳钢 铬钼钢 high quality carbon steel Cr.mo steel
J961H	WCB	WCB		25					
J61Y	25	25	铬不锈钢氮化 Cr.stainless steel nitration	25	硬质合金 Carbide alloy				
J961Y	WCB	WCB		25					
J61Y-P54	12Cr1MoV	12Cr1MoV	20Cr1Mo1VA 38Cr1MoA1A 25Cr2MoV	12Cr1MoV	硬质合金 Carbide alloy				
J961Y-P54	WC6	WC6		12Cr1MoV					
J61Y-P55	12Cr1MoV	12Cr1MoV	20Cr1Mo1VA 38Cr1MoA1A 25Cr2MoV	12Cr1MoV	硬质合金 Carbide alloy				
J961Y-P55	WC6	WC6		12Cr1MoV					
J61Y-P57	12Cr1MoV	12Cr1MoV	20Cr1Mo1VA 38Cr1MoA1A 25Cr2MoV	12Cr1MoV	硬质合金 Carbide alloy				
J961Y-P57	WC9	WC9		12Cr1MoV					

注：如有产品参数疑问请致电上海电站阀门有限公司详询，电话：021-59222288

Note: If the product parameters, please call our company detailed inquiry, Tel: 021-59222288

## • 高温高压疏水阀

J61Y-100, 200, 250, 320 J61Y-P54/100V, P54/140V, P54/170V



主要外形尺寸和连接尺寸 Main Dimensions And Connection Dimensions

公称通径DN	L	D1	D2	D3	α	H	D0
J61Y-100, 200, 250, 320 J61Y-P54/100V, P54/140V, P54/170V							
10	120	12	25	/	37.5°	185	140
15	150	17	36	/	37.5°	247	200
20	170	22	42	/	37.5°	248	200
25	170	26	42	/	37.5°	248	240
32	180	31	44	/	37.5°	248.5	280
40	230	38	60	/	37.5°	440	280
50	320	50	82	/	32°	450	320
65	330	69	100	110	32°	669	400
80	470	84	108	130	32°	669	450
100	560	107	144	165	32°	755	500
J61Y-P55/100V, P55/140V, P55/170V J61Y-P57/100V, P57/140V, P57/170V							
10	120	12	28	/	37.5°	189	140
15	150	17	40	/	37.5°	250	200
20	170	22	46	/	37.5°	252	200
25	170	26	46	/	37.5°	254	240
32	180	31	49	/	37.5°	254	280
40	230	38	60	/	37.5°	440	280
50	320	50	90	/	32°	455	320
65	330	69	104	110	32°	630	400
80	470	84	110	140	32°	672	450
100	560	107	148	170	32°	761	500