

• 堵阀

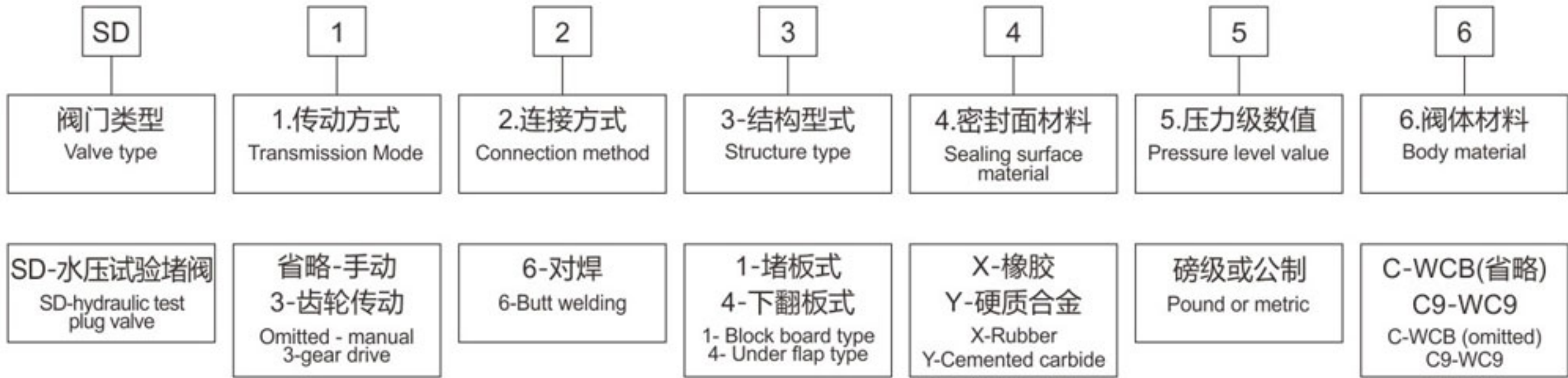
结构简述

1. 采用压力自紧式密封结构，两端支管为焊接连接。
2. 采平面O型圈密封，阀座采用不锈钢堆焊而成。
3. 水压试验时装入堵板，水压试验后取出堵板，可多次进行水压试验。

The Structure Is Briefly

1. Pressure self-tight seal structure, both ends of the pipe for the welding connection.
2. mining plane o ring seal, the valve seat made of stainless steel surfacing.
3. Water pressure test into the blocking board, remove the blocking board after the hydrostatic test, hydrostatic test can be repeated.

型号编制 Model Establishment



例如：28"SY364Y900LBC9, 表示900LB 28"焊接端 蜗轮传动水压试验阀 下翻板式 密封面材料为硬质合金 阀体材料为WC9

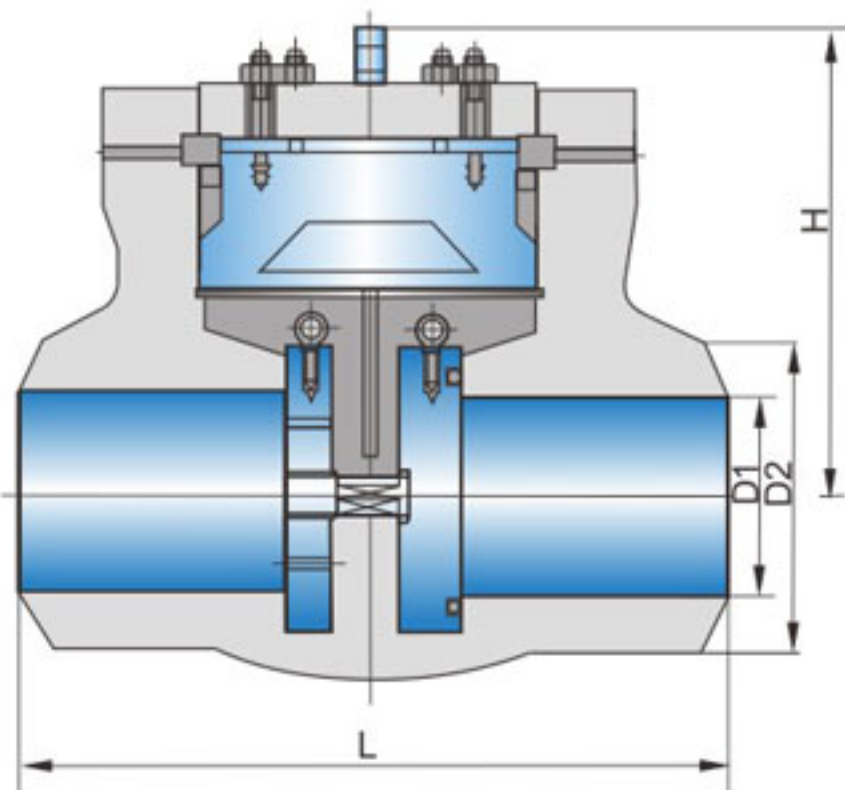
For example: 28 "SY364Y900LBC9, said 900LB 28" Welded end worm drive hydraulic test valve flap type sealing surface material is carbide body material is WC9



主要性能规范 Main Performance Specifications

产品型号 Product number	公称压力 Nominal pressure	壳体试验压力(MPa) Shell test pressure	密封试验压力(MPa) Seal test pressure
SD61X-CL600 SD364Y-CL600	600LB	15.0	11.0
SD61X-900LBC9 SD364Y-CL900C9	900LB	22.5	16.5
SD61X-CL3000C9	3000LB	47.5	34.7
SD61Y-64	6.4	9.6	7.1
SD61Y-P5450V	P5450V	15.0	6.3
SD61Y-P5464V	P5464V	15	8.0
SD61Y-P3564	P3564	15	8
SD61Y-100	10.0	15.0	6.5
SD61YP5550V	P5550V	17.25	6.5

主要外形尺寸和连接尺寸 Main Dimensions And Connection Dimensions



型号规格 Model specifications	L	d	D	H
22"SD61X-CL600	1295	500	586	655
28"SD61X-CL900C9	1753	608	762	1012
22"SD61X-CL3000C9	1499	330	580	970
22"SD364Y-CL600	1295	500	584	700
34"SD364Y-CL600	1753	778	882	1044
22"SD364Y-CL900	1455	476	570	910
28"SD364Y-CL900	1753	608	762	1007
350SD61Y-64	900	325	410	555
400SD61H-40	950	385	465	570
450SD61Y-P5450V	1100	450	560	695
500SD61Y-P5464V	1100	460	570	705
530SD61Y-PJS64	1100	515	570	734
950SD61YPSS50V	1850	930	1120	1340
1000SD61Y100	1850	995	1135	1310

安装说明：1. 阀门安装必须按阀体上流向箭头方向安装，水压试验后取出的堵板、O型圈妥善保存。2. 试验水温为20~70°C

Installation instructions: 1. The valve must be installed according to the direction of the arrow on the valve body installation, hydraulic test block removed after the O-ring properly preserved. 2. The test water temperature is 20~70°C